

INSTALLATION INSTRUCTIONS  
PZM-WWG4-RGBW



**⚠ WARNING**

These products may represent a possible shock or fire hazard if improperly installed or attached in any way. Products should be installed in accordance with these instructions, current electrical codes, and/or the current National Electric Code (NEC).

**⚠ WARNING**

When using this product outdoors, basic safety precautions should always be followed to reduce the risk of fire, electric shock and personal injury including the following:

- Ground Fault Circuit Interrupter (GFCI) protection should be provided on the circuit(s) or outlet(s) to be used for outdoor use. Receptacles are available having built-in GFCI protection for this measure of safety.
- Use only outdoor extension cords, such as type SEW, SEOW, SEOOW, SOW, SOOW, STW, STOW, STOOW, SJEW, SJEOW, SJEOOW, SJTW, SJTOW, or SJTOOW. This designation is marked in the wire of the extension cord. Never use with an extension cord unless plug can be fully inserted.

**SAFETY INFORMATION**

- Read all instructions before beginning. Save these instructions for future use.
- To reduce the risk of fire, electric shock, or injury to persons, pay close attention to this manual. Stay within its guidelines when using this product.
- All units must be unplugged before installing or servicing in any way.
- Do not route cords or units through walls, doors, windows, or any similar part of a building structure.
- Do not use if there is any damage to the unit, its lens, and/or power cord insulation. Inspect periodically.
- Do not submerge in water or other liquids.
- Secure unit(s) using mounting hardware appropriate for the mounting surface. Do not secure unit or power cord with staples, nails, or other sharp items that may damage insulation.
- As dictated by engineer's drawings or local code, install safety cables on fixtures.
- Do not attempt to open or service the fixture. No parts are serviceable by the user.
- Do not exceed the specified voltage and current input. See Figure 1.
- This product has a polarized grounded plug as a safety feature to reduce the risk of electric shock. Do not cut the plug off or alter it in any way.
- The operating temperature range of PZM-WWG fixtures is -20°C (-4°F) ~ 45° (113°F).
- Do not exceed the maximum number of fixtures in any single run. See Figure 1.
- For cleaning, use a soft, dry or damp cloth. Do not use harsh chemicals or abrasives.

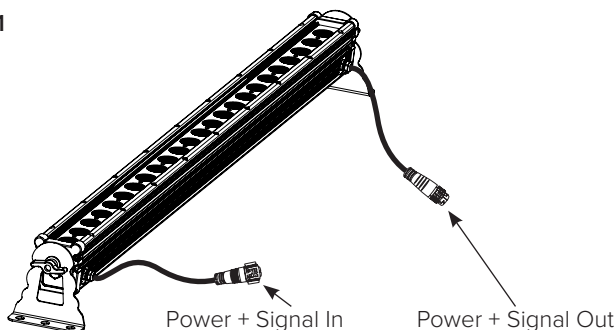
**FIGURE 1**

| Item                | PZM-WWG4-RGBW                       |
|---------------------|-------------------------------------|
| Input Voltage Range | 100-240V AC, 50/60Hz                |
| Max Power           | 99W                                 |
| Power Factor        | 0.92                                |
| Input Current       | 1.555A                              |
| Drive Current       | 0.5A                                |
| Max Power Linking   | 9 units                             |
| Max Signal Linking  | 30 Units (using PZM-WW-SIGADAPT-BK) |

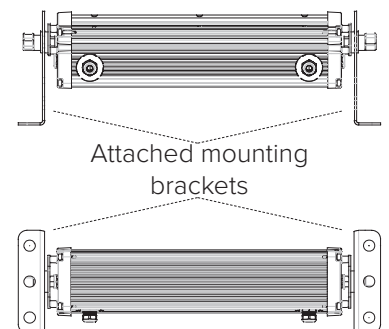
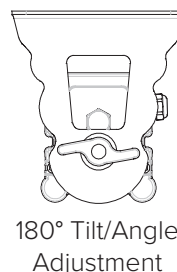
**BEFORE INSTALLATION:**

1. Familiarize yourself with the dimensions and key aspects of the wall washer. See FIGURE 1.
2. Determine the number of fixtures to be used and how power will be delivered. Each fixture has a 5pin grounded power and signal combination cord which must either be linked to a power + signal splitter (PZM-WW-PSL-BK for the first wall washer in a series), another wall washer fixture, or terminated with a terminator end cap (PZM-WW-SIGEND). Available accessories (sold separately) include an XLR3 to XLR5 adapter (PZM-WW-XLR3-XLR5), a 10ft XLR3 signal extension cable (PZM-WW-XLR3-10-BK), as well as various signal + power jumper cables in 1ft, 3ft, 6ft, and 20ft lengths (PZM-WW-JUMP#-BK).
3. Determine mounting method and fasteners required. See FIGURE 2. A pole clamp with safety cable is also available (PZM-WW-PCLMP sold separately).
4. Determine method of control. Each fixture is factory set to ID = 001. A remote device management (RDM) device is required to address units as anything other than 001.

**FIGURE 1**



**FIGURE 2**



**INSTALLATION INSTRUCTIONS**

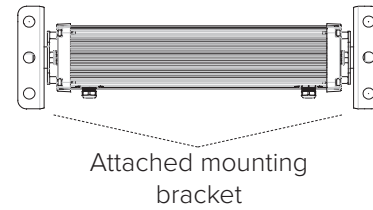
**PZM-WWG4-RGBW**



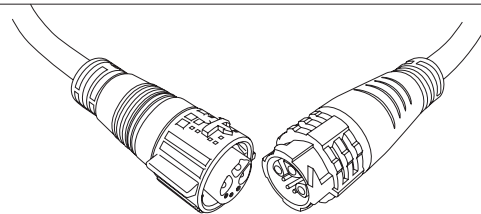
**INSTALLING WALL WASHER (SEE FIGURES 3 & 4):**

- Loosen the tilt/angle adjustment bolt to rotate the light to get access to the mounting brackets.
- Use the through-mounting holes in the brackets of each unit (See FIGURE 2) and attach to structurally sound surface using suitable fasteners. Ensure the location of each fixture is within wiring distance of conjoining fixtures and that the first fixture in the series is within wiring distance of controller.
- Connect conjoining fixtures together by connecting the male and female cord ends to each other, then turning clockwise until the connection is secured. See Figure 3. Use PZM-WW-JUMP#-BK to increase the distance between fixtures. See Figure 3.
- Ensure the last fixture in the series has a termination end cap (PZM-WW-SIGEND) attached to the tail wire (female end).
- Connect the first fixture in the series to a DMX control system using PZM-WW-PSL-BK (power + signal cable) and PZM-WW-XLR3-XLR5 (XLR3 to XLR5 adapter).
- Plug first fixture in the series into grounded 120V AC receptacle using PZM-WW-PSL-BK (power + signal cable).

**FIGURE 2**



**FIGURE 3**



**OPERATING WALL WASHER:**

This fixture does not have a standalone mode and requires the use of an external DMX 512 control. 16 Channels (18 Channels for Strobe) - 4 Sets of 6 LEDs

| FUNCTION | DMX VALUE | SETTING      | 4-CH | 6-CH |
|----------|-----------|--------------|------|------|
| DIMMING  | 000-255   | 0-100%       |      | 1    |
| RED1     | 000-255   | 0-100%       | 1    | 2    |
| GREEN1   | 000-255   | 0-100%       | 2    | 3    |
| BLUE1    | 000-255   | 0-100%       | 3    | 4    |
| WHITE1   | 000-255   | 0-100%       | 4    | 5    |
| RED2     | 000-255   | 0-100%       | 5    | 6    |
| GREEN2   | 000-255   | 0-100%       | 6    | 7    |
| BLUE2    | 000-255   | 0-100%       | 7    | 8    |
| WHITE2   | 000-255   | 0-100%       | 8    | 9    |
| RED3     | 000-255   | 0-100%       | 9    | 10   |
| GREEN3   | 000-255   | 0-100%       | 10   | 11   |
| BLUE3    | 000-255   | 0-100%       | 11   | 12   |
| WHITE3   | 000-255   | 0-100%       | 12   | 13   |
| RED4     | 000-255   | 0-100%       | 13   | 14   |
| GREEN4   | 000-255   | 0-100%       | 14   | 15   |
| BLUE4    | 000-255   | 0-100%       | 15   | 16   |
| WHITE4   | 000-255   | 0-100%       | 16   | 17   |
| STROBE   | 0-10      | No Function  |      | 18   |
|          | 11-255    | Slow to Fast |      |      |

**RDM (REMOTE DEVICE MANAGEMENT):**

This fixture has RDM functions. RDM is the protocol which supports two-way traffic in standard DMX512. Configure and monitor the fixture along with the capability to change the DMX address and DMX mode. Every fixture with RDM can be recognized by a built-in UID code.

| PARAMETER ID                | DISCOVERY COMMAND | SET COMMAND | GET COMMAND |
|-----------------------------|-------------------|-------------|-------------|
| DISC_UNIQUE_BRANCH          | *                 |             |             |
| DISC_MUTE                   | *                 |             |             |
| DISC_UN_MUTE                | *                 |             |             |
| DEVICE_INFO                 |                   |             | *           |
| SOFTWARE_VERSION_LABEL      |                   |             | *           |
| DMX_START_ADDRESS           |                   | *           | *           |
| IDENTIFY_DEVICE             |                   | *           | *           |
| SUPPORTED_PARAMETERS        |                   |             | *           |
| SENSOR_DEFINITION           |                   |             | *           |
| SENSOR_VALUE                |                   |             | *           |
| DMX_PERSONALITY             |                   | *           | *           |
| DMX_PERSONALITY_DESCRIPTION |                   |             | *           |

**FCC Compliance Statement**

This device complies with part 15 of the FCC Rules. Operation is subject to the following two conditions:

- This device may not cause harmful interference, and
- This device must accept any interference received, including interference that may cause undesired operation.

**FCC WARNING**

This equipment has been tested and found to comply with the limits for a Class B digital device, pursuant to Part 15 of the FCC Rules. These limits are designed to provide reasonable protection against harmful interference in a residential installation. This equipment generates, uses and can radiate radio frequency energy and, if not installed and used in accordance with the instructions, may cause harmful interference to radio communications. However, there is no guarantee that interference will not occur in a particular installation. If this equipment does cause harmful interference to radio or television reception, which can be determined by turning the equipment off and on, the user is encouraged to try to correct the interference by one or more of the following measures:

- Reorient or relocate the receiving antenna.
- Increase the separation between the equipment and the receiver.
- Connect the equipment into an outlet different from that to which the receiver is connected.
- Consult the dealer or an experienced radio/TV technician for help.