

PROJECT:	TYPE:
LOCATION:	CAT:

Description

FrameWRX Bloom series of exterior lights including sconce, bollard, and path light.

Features

- Sconce, Bollard, or Path light
- Painted aluminum body with diffuse polycarbonate lens
- Class I fixture
- cETLus Listed for wet locations

Mounting

Surface mount

Applications

Architectural and Security Lighting; Residential or light commercial

Warranty

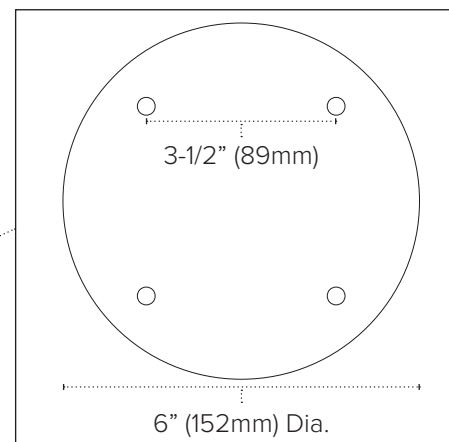
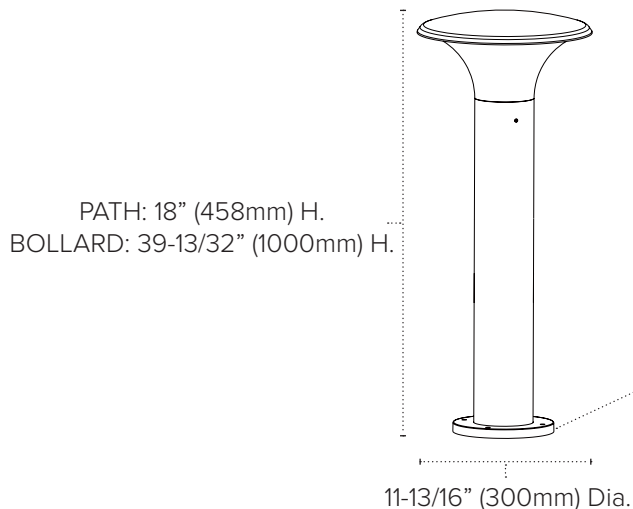
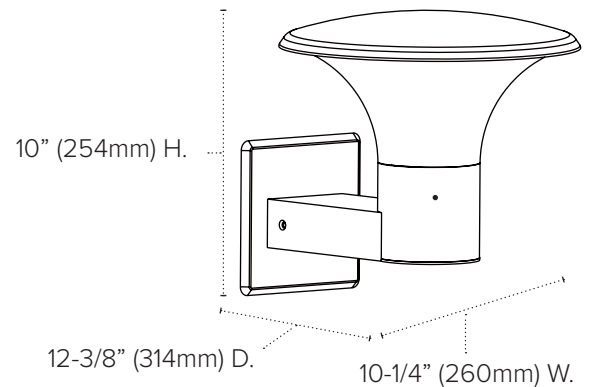
3 years



Technical Information



Model	BLOOM	BLOOM	BLOOM
Type	Sconce	Bollard	Path
Voltage	120-277V AC	120-277V AC	12V
CCT	3000K		
CRI	90+		
Wattage	10W	10W	10W
Lumens	up to 820Lm	up to 820Lm	up to 820Lm
Beam Angle	120°	120°	120°
Dimming	N/A		
Rating	cETLus, wet locations		
Rated Life	30,000 Hours		




Ordering Information

BLOOM BOLLARD:	PZM	—	BLRD <small>BOLLARD</small>	—	BLM <small>BLOOM</small>	—	120/277 <small>120-277V</small>	—	3K <small>3000K</small>	—	GRA <small>GRAY</small>
			<small>TYPE</small>		<small>MODEL</small>		<small>VOLTAGE</small>		<small>CCT</small>		<small>FINISH</small>
BLOOM PATH:	PZM	—	PTWY <small>PATH LIGHT</small>	—	BLM <small>BLOOM</small>	—	12 <small>12V</small>	—	3K <small>3000K</small>	—	GRA <small>GRAY</small>
			<small>TYPE</small>		<small>MODEL</small>		<small>VOLTAGE</small>		<small>CCT</small>		<small>FINISH</small>
BLOOM SCONCE:	PZM	—	WM <small>SCONCE</small>	—	BLM <small>BLOOM</small>	—	120/277 <small>120-277V</small>	—	3K <small>3000K</small>	—	GRA <small>GRAY</small>
			<small>TYPE</small>		<small>MODEL</small>		<small>VOLTAGE</small>		<small>CCT</small>		<small>FINISH</small>

Recommended Power Supplies (12V AC Path Lights Only)

Part Number	Description	Finish	Primary & Secondary	Total Wattage	Listing	Dimensions
LED-TR-30-12	12V DC - 30W Magnetic Transformer	Black	120V AC / 12V DC	30W (40% minimum)	cETLus Listed; Nema 3R - Indoor and outdoor	6"L x 3-1/8"W x 1-1/2"H
LED-TR-60-12	12V DC - 60W Magnetic Transformer	Black	120V AC / 12V DC	60W (40% minimum)	cETLus Listed; Nema 3R - Indoor and outdoor	9-1/4"L x 3"W x 3"H
LED-TR-100-12	12V DC - 100W Magnetic Transformer	Black	120V AC / 12V DC	100W (40% minimum)	cETLus Listed; Nema 3R - Indoor and outdoor	9-1/2"L x 4"W x 4"H
LED-TR-150-12	12V DC - 150W Magnetic Transformer	Black	120V AC / 12V DC	150W (40% minimum)	cETLus Listed; Nema 3R - Indoor and outdoor	9-1/2"L x 4"W x 4"H

Accessories

Image	Part Number	Description
	PATH-SMS	Path light soil mounting stake; 20-1/2"H with 8" x 6-3/4" mounting plate and grid support

Additional Information

For a rain-tight seal, apply silicone caulking around the perimeter of the housing where it contacts the mounting surface

NOTES
