

PROJECT:	TYPE:
LOCATION:	CAT:

### Description

FrameWRX Burg series of exterior lights including sconce, bollard, and path light.

### Features

- Sconce, Bollard, or Path light
- Painted aluminum body with diffuse polycarbonate lens
- Class I
- cETLus Listed for wet locations

### Mounting

Surface mount

### Applications

Architectural and Security Lighting; Residential or light commercial

### Warranty

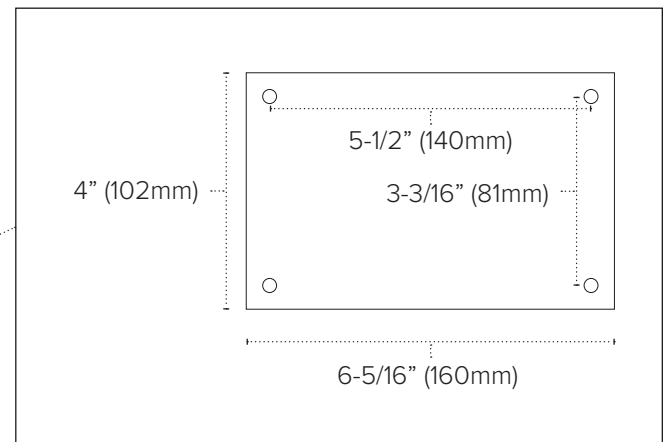
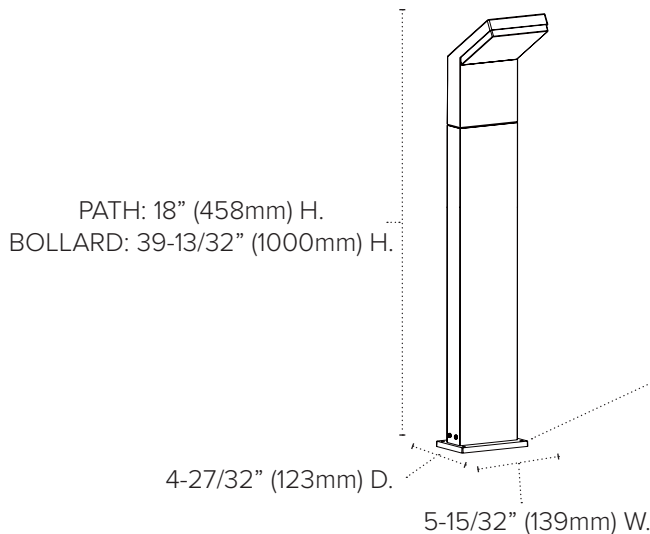
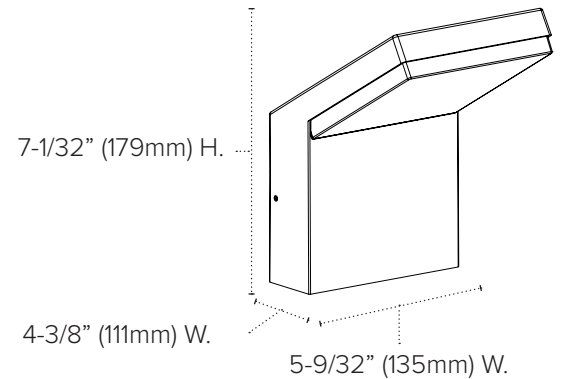
3 years



## Technical Information



Model	BURG	BURG	BURG
Type	Sconce	Bollard	Path
Voltage	120-277V AC	120-277V AC	12V
CCT	3000K		
CRI	90+		
Wattage	10W	10W	10W
Lumens	up to 720Lm	up to 720Lm	up to 720Lm
Beam Angle	111°	111°	111°
Dimming	N/A		
Rating	cETLus, wet locations		
Rated Life	30,000 Hours		



## Ordering Information

**BURG BOLLARD:** **PZM** – **BLRD** – **BRG** – **120/277** – **3K** – **GRA**  
TYPE: BOLLARD    MODEL: BURG    VOLTAGE: 120-277V    CCT: 3000K    FINISH: GRAY


**BURG PATH:** **PZM** – **PTWY** – **BRG** – **12** – **3K** – **GRA**  
TYPE: PATH LIGHT    MODEL: BURG    VOLTAGE: 12V    CCT: 3000K    FINISH: GRAY

**BURG SCONCE:** **PZM** – **WM** – **BRG** – **120/277** – **3K** – **GRA**  
TYPE: SCONCE    MODEL: BURG    VOLTAGE: 120-277V    CCT: 3000K    FINISH: GRAY

## Recommended Power Supplies (12V AC Path Lights Only)

Part Number	Description	Finish	Primary & Secondary	Total Wattage	Listing	Dimensions
LED-TR-30-12	12V DC - 30W Magnetic Transformer	Black	120V AC / 12V DC	30W (40% minimum)	cETLus Listed; Nema 3R - Indoor and outdoor	6"L x 3-1/8"W x 1-1/2"H
LED-TR-60-12	12V DC - 60W Magnetic Transformer	Black	120V AC / 12V DC	60W (40% minimum)	cETLus Listed; Nema 3R - Indoor and outdoor	9-1/4"L x 3"W x 3"H
LED-TR-100-12	12V DC - 100W Magnetic Transformer	Black	120V AC / 12V DC	100W (40% minimum)	cETLus Listed; Nema 3R - Indoor and outdoor	9-1/2"L x 4"W x 4"H
LED-TR-150-12	12V DC - 150W Magnetic Transformer	Black	120V AC / 12V DC	150W (40% minimum)	cETLus Listed; Nema 3R - Indoor and outdoor	9-1/2"L x 4"W x 4"H

## Accessories

Image	Part Number	Description
	PATH-SMS	Path light soil mounting stake; 20-1/2"H with 8" x 6-3/4" mounting plate and grid support

## Additional Information

For a rain-tight seal, apply silicone caulking around the perimeter of the housing where it contacts the mounting surface

## NOTES

---



---



---



---



---