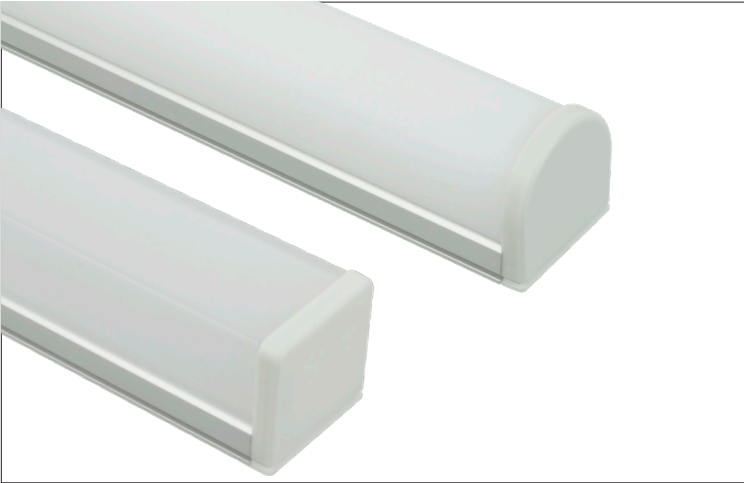


PROJECT:	TYPE:
LOCATION:	CAT:



Description

The Turbo extrusion resembles a low-profile T5 luminaire when assembled, allowing two side-by-side rows of tape light (15/32" width or smaller) to boost light output and increase coverage.

Features

- Extruded aluminum construction
- 15/16" wide channel allows for two rows of tape light (7/8" width or smaller)
- Use tape light, end caps, and lens to create a complete fixture (tape light and accessories sold separately)

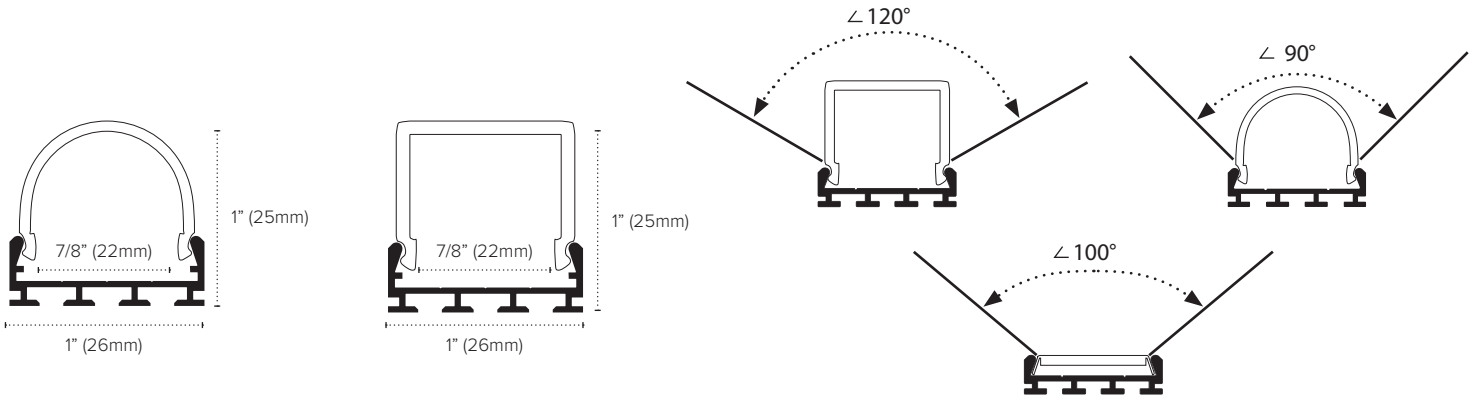
Mounting

Surface mount via construction adhesive or flat-head counter-sunk screws in holes drilled through extrusion; Requires a 1-1/16" width and 1" height clearance

Applications

Food prep areas, closets, workshops, and offices

Technical Information



Ordering Information

Part Number	Description
PE-TURBO2-1M	Turbo Aluminum Extrusion
PE-RTURBO-1M	Round Frosted Acrylic Lens
PE-QTURBO-1M	Squared Frosted Acrylic Lens
PE-RTURBO2-END	Polypropylene Plastic Rounded End Cap
PE-QTURBO2-END	Polypropylene Plastic Square End Cap

*Turbo extrusion is available as special order only.
For special orders, please contact us at: Quotes@PrizmLighting.com