

PROJECT:  TYPE:

LOCATION:  CAT:



### Description

Constant voltage driver in either 12V DC or 24V DC outputs

### Features

- 12V or 24V DC constant voltage hardwire driver; 100W capacity
- Non-dimmable on primary side; Utilize secondary side for Prizm controls or PWM dimming
- Universal AC input / Full Range
- Protections: Short Circuit / Overload / Over Voltage
- Built-in constant current limiting circuit
- Fully isolated plastic case; Fully encapsulated with IP67 level
- Input via 11" 18AWG conductors
- Output via 11" 14AWG conductors

### Mounting

Set upon flat surface or house in an enclosure

### Applications

Suitable for LED lighting

### Warranty

2 years

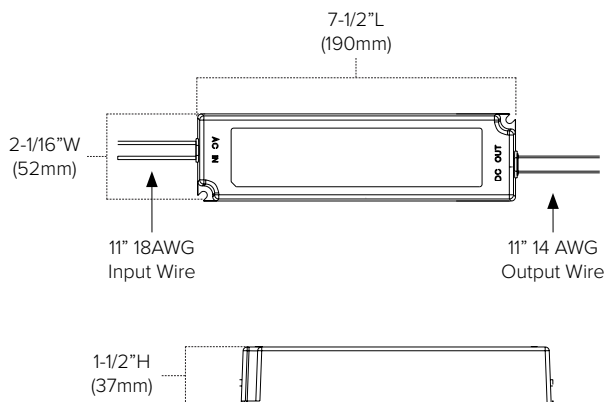
## Technical Information



| Model                | LED-DR100-12  | LED-DR100-24 |
|----------------------|---|--------------|
| Output DC Voltage    | 12V DC  | 24V DC       |
| Rated Current        | 8.5A  | 4.2A         |
| Maximum Load         | 100W (non-dimming); 97W (dimming*)  |              |
| Minimum Load         | 20W (non-dimming); 1W (dimming*)  |              |
| Input Voltage Range  | 100-240V AC (2.2A)  |              |
| Frequency Range      | 50/60Hz   |              |
| Efficiency           | 85%   | 88%          |
| Dimming              | Non-dimmable on primary side; Utilize secondary side for Prizm controls or PWM dimming* |              |
| Overload Protect     | Hiccup mode, recovers automatically after fault condition is removed                    |              |
| Over Voltage Protect | Shut down o/p voltage, re-power on to recover   |              |
| Operating Temp       | -13°F to 158°F (-25°C to 70°C)  |              |
| Operating Humidity   | 20 ~ 90% RH non-condensing  |              |
| Rating               | cURus for dry and damp locations; RoHS Compliant  |              |

\*Utilize Prizm controller + receiver combo on secondary side (sold separately); PWM dimming will consume ±3W internally

### Dimensions



## Ordering Information

**LED-DR100**  
Driver



### LED-DR100-12 includes:

(1) 12V DC Constant Voltage Power Supply

### LED-DR100-24 includes:

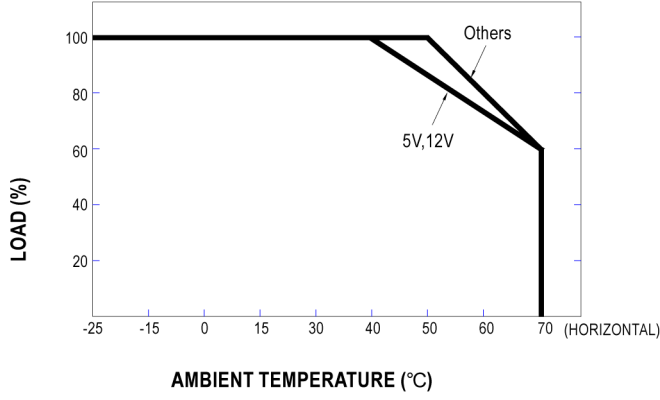
(1) 24V DC Constant Voltage Power Supply

Example Part # LED-DR100-12

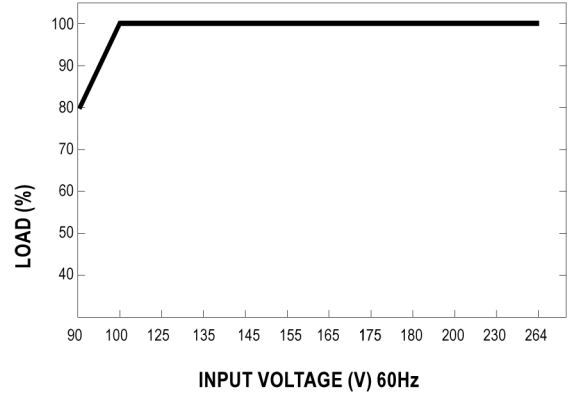


## Additional Information

■ Derating Curve



■ Static Characteristics



## NOTES

---

---

---

---

---