

PROJECT:  TYPE:

LOCATION:  CAT:



Black



White

### Description

Individually addressable LED pixel light string with individually addressable RGBW dots

### Features

- Individually addressable LED pixel dots
- 16-bit color resolution with DMX512 control
- 6 RGB SMD LEDs + 3 White SMD LEDs per dot
- Polycarbonate lens available in 3 styles
- Light weight PC housing with multiple mounting options
- Custom spacing on UL94V-0 cable
- Anti-UV, VO flame retardant coating
- Class III electrical safety level

### Mounting

Clips or track available

### Applications

Point light source, curtain walls, 3D shapes

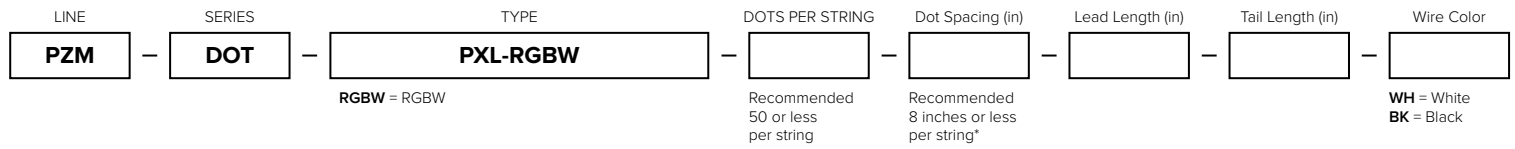
## Technical Information



CCT	RGBW
Input Voltage Range	24V DC
Max Power	1.8W per dot
Power Factor	0.8
Max Power Linking	Dependant on controller + driver
Max Signal Linking	Dependant on controller + driver
Max Lumens	30 per dot
Data Protocol	DMX512; IC SM16512
Address	Each dot individually addressable
Refresh Rate	>1000Hz
Beam Angle	120°
Net Weight	35g (0.077Lbs)
Operating Temp	-35°C (-31°F) ~ 60° (140°F)
Storage Temp	-40°C (-40°F) ~ 70° (158°F)
Operating Humidity	10-90%
IP Grade	IP67
Safety Rating	cETLus Listed; Wet locations; CE; RoHS
Rated Life	80,000 Hours (operating temperature <50°C)

## Special Order Information

Please allow 12-16 weeks for special order items



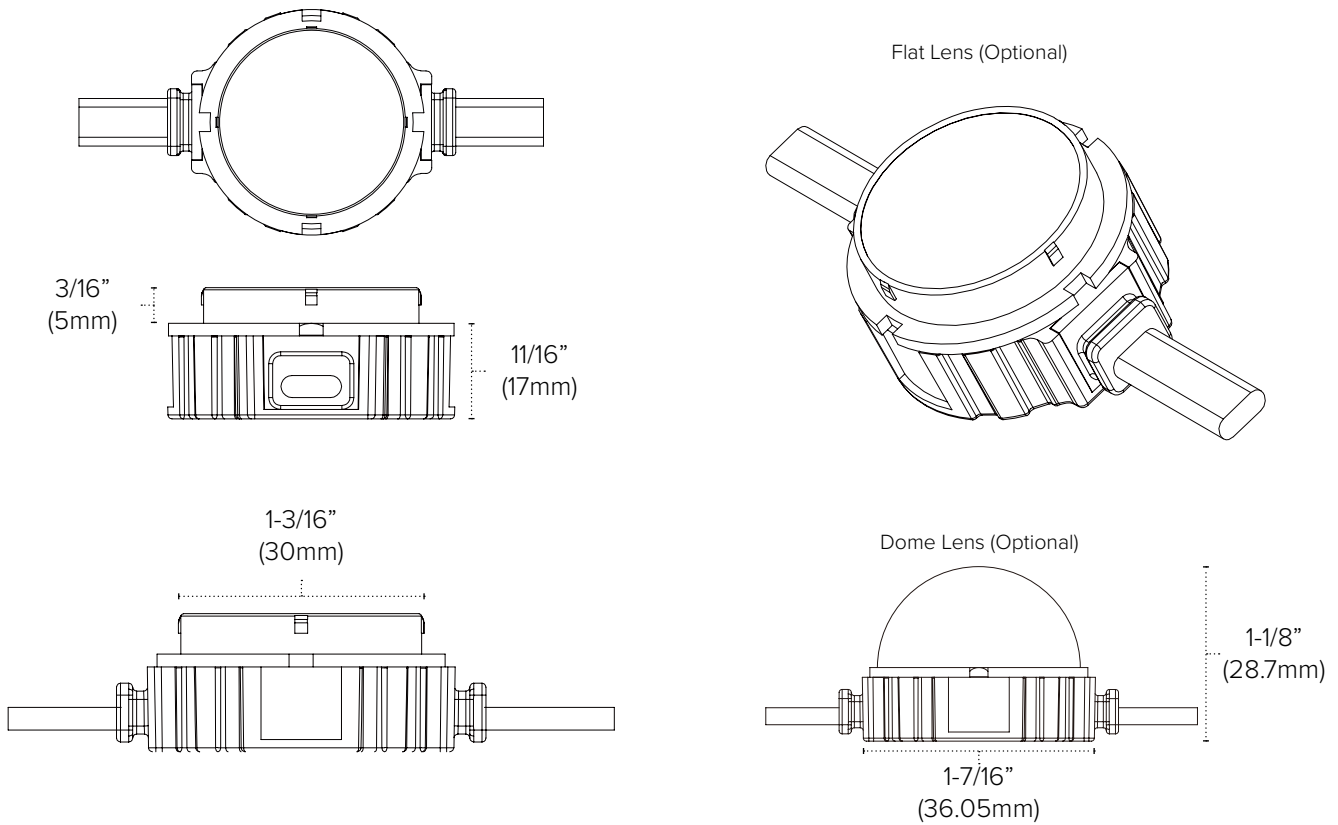
\*Recommended 32.8ft (10M) or less string length when using spacing >200mm

Additional mounting and connection accessories may be required dependent on design and layout  
Pixel Dot is available as special order only. For special orders, please contact us at: [Quotes@PrizmLighting.com](mailto:Quotes@PrizmLighting.com)

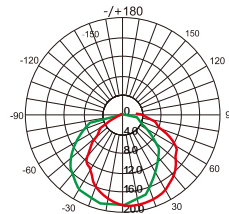
## Quick-Ship & Accessory Order Information

FIXTURE	ITEM NUMBER
4" on center, 50 nodes, 36" lead & no tail, WHITE, not interconnectable	PZM-DOT-PXL-RGBW-50-4-36-0-WH
12" on center, 25 nodes, 36" lead & no tail, WHITE, not interconnectable	PZM-DOT-PXL-RGBW-25-12-36-0-WH
4" on center, 50 nodes, 36" lead & no tail, BLACK, not interconnectable	PZM-DOT-PXL-RGBW-50-4-36-0-BK
12" on center, 25 nodes, 36" lead & no tail, BLACK, not interconnectable	PZM-DOT-PXL-RGBW-25-12-36-0-BK
ACCESSORY	ITEM NUMBER
Frosted Flat lens for Pixel Dots (clips on to the housing)	PZM-DOT-LENS-FLAT-FR
Frosted S14 Lens Clip & Bulb for Pixel Dots	PZM-DOT-LENS-S14-FR
Plastic Mounting Clips for Prizm Pixel Dot	PZM-DOT-CLIP
15FT 16#AWG Connection cable with female connector	PZM-PXL-CONKIT-15
12 inch Jumper Cable, male and female connector	PZM-PXL-JUMP12IN
SPECIAL ORDER ONLY (Please allow 12-16 weeks for special order items)	ITEM NUMBER
Frosted Dome lens for Pixel Dots (molded on to the housing at factory)	PZM-DOT-LENS-DOME-FR
T-Connector Power/signal cable	PZM-PXL-TCON
End connector, waterproof for last lighting	PZM-PXL-END
12ft Signal Jumper Cable, male and female connector with positive off	PZM-PXL-JUMP12-SIG
24ft Signal Jumper Cable, male and female connector with positive off	PZM-PXL-JUMP24-SIG
36ft Signal Jumper Cable, male and female connector with positive off	PZM-PXL-JUMP36-SIG
12ft Jumper Cable, male and female connector	PZM-PXL-JUMP12

Physical Dimensions



Additional Information



Illumination Icon

Height (m)	Average Illumination (lx)	Diameter (cm)
1m	5,408.18.65	298.19
2m	1,352.4.663	596.39
3m	0.6009.2.072	894.58
4m	0.3380.1.166	1,192.78
5m	0.2163.0.7457	1,490.97