

PROJECT: TYPE:

LOCATION: CAT:



Black Silver White
Silver and White finishes are available as special order only

Description

Heavy duty array wall washer in 3000K, RGB, or RGBW

Features

- 3x5 array pattern with long-life, low-maintenance LEDs
- Quick-ship & special order options available (please allow 12-16 weeks for special order options)
- Durable die-cast aluminum housing with IP65 rating
- Single cable power and signal linking
- DMX 512 Data protocol
- RDM Required to address - fixtures are factory set to ID=001
- Adjustable angle design and easy installation maximizes on site flexibility
- Additional optics and visor options available (special order only)

Mounting

Attached mounting bracket

Applications

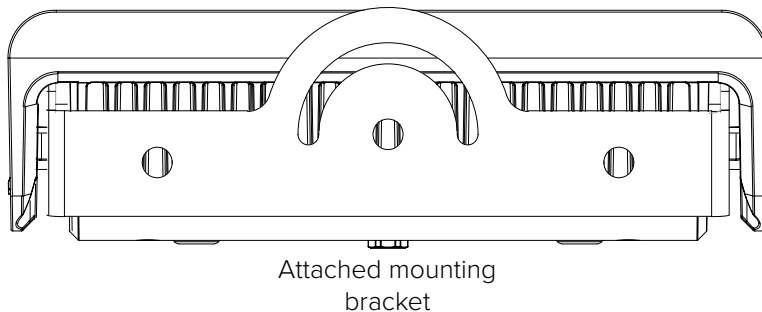
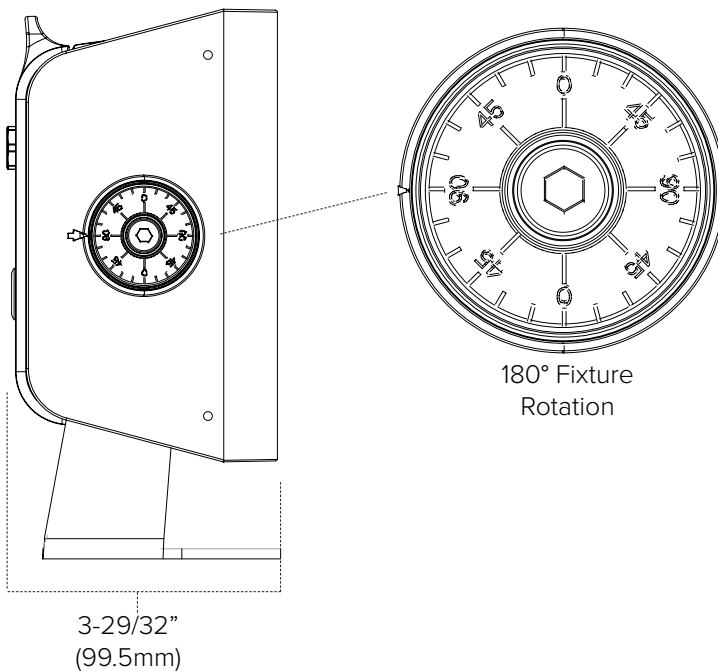
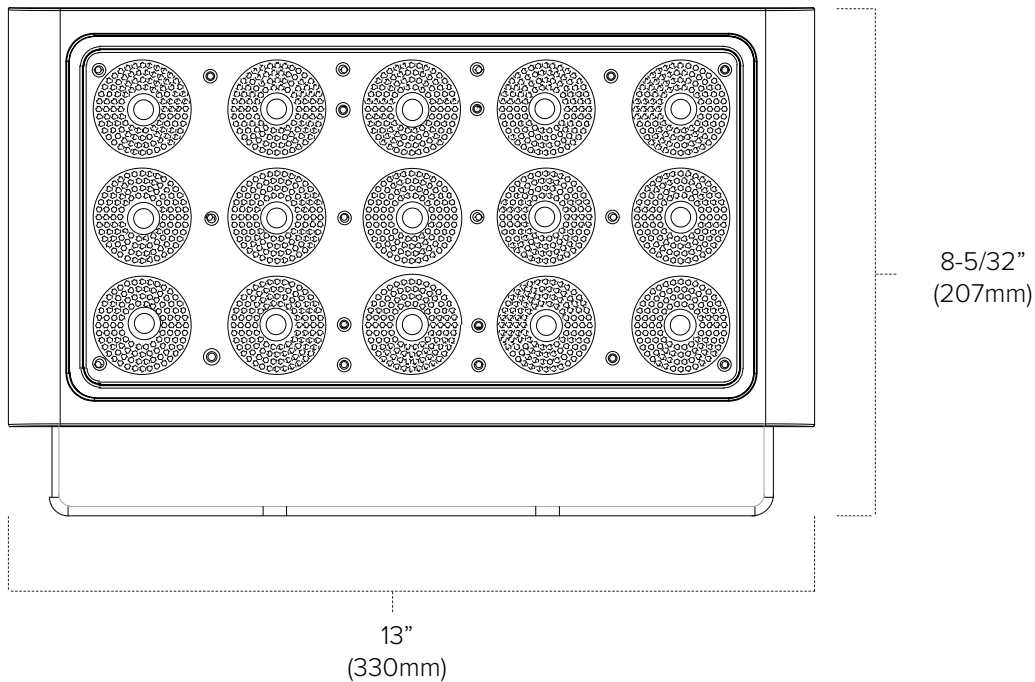
Commercial wall washing, entrance and facade lighting, seasonal & decorative displays, entertainment and event lighting, large scale and municipal installations, bridges and walkways



Technical Information

CCT	3000K	RGB	RGBW
Input Voltage Range	100-240V AC, 50/60Hz		
Max Power	63W	64W	64W
Power Factor	0.99	0.99	0.99
Input Current	0.61A	0.61A	0.61A
Drive Current	1.4A	0.45A	0.45A
Max Power Linking	15 units		
Max Signal Linking	30 units (use PZM-WW-SIGADPT-BK)		
Max Lumens	2900Lm	2000Lm	1950Lm
Dimming	0-100%		
Strobe	0-20Hz		
Data Protocol	DMX512; RDM Required for address		
DMX Channel	1 Channel (2 Channels for Strobe)	3 Channels (5 Channels for Strobe)	4 Channels (6 Channels for Strobe)
Optics	40° Standard (25° option available - special order only)		
Net Weight	4.9Kg (10.8Lbs)		
Working Temp	-20°C (-4°F) ~ 45° (113°F)		
IP Grade	IP65		
Safety Rating	cETLus Listed; Wet locations		
Rated Life	50,000 Hours		

Physical Dimensions



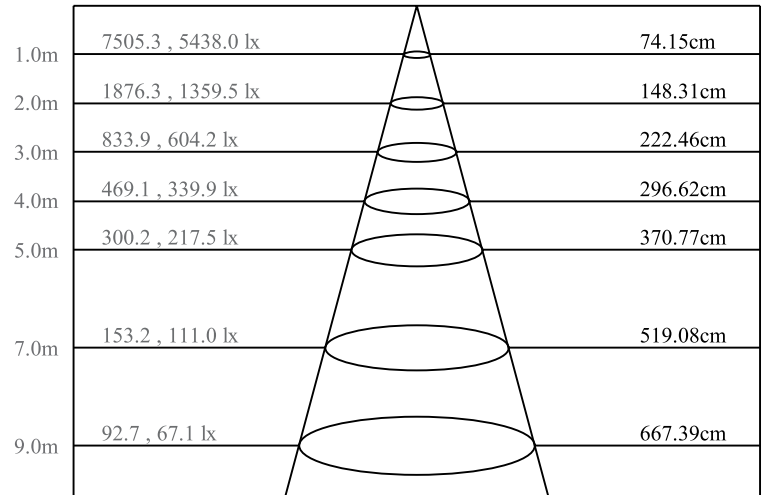
Photometrics

For additional photometric information and IES files, please visit PrizmLighting.com

ZONAL LUMEN SUMMARY (3000K)

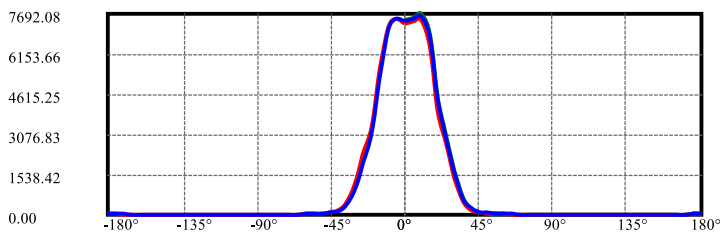
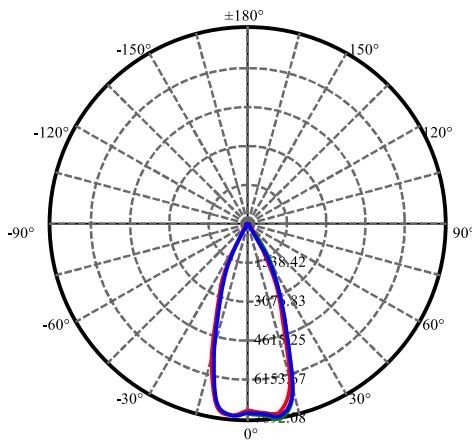
Zone	Lumens	%Lamp	%Fixt
0-30	3436.75	91.65%	85.81%
0-40	3826.27	102.03%	95.53%
0-60	3959.76	105.59%	98.86%
0-90	3986.97	106.32%	99.54%
0-120	3987.00	106.32%	99.54%
0-180	4005.24	106.81%	100.00%
60-90	45.32	1.21%	1.13%
90-120	0.09	0.00%	0.00%
90-130	0.39	0.01%	0.01%
90-150	4.98	0.13%	0.12%
90-180	17.68	0.47%	0.44%
0-27.58	3204.19	85.45%	80.00%

LUX DISTANCE CURVE (3000K)



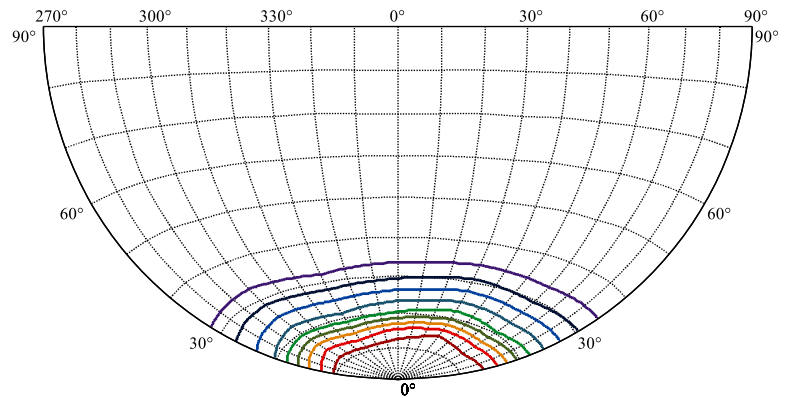
Max , Ave Beam angle of C30 plane 40.69

LUX DISTRIBUTION CURVE (3000K)



C30(Max): —
 C0/C180: —
 C90/C270: —

ISO CANDELA DIAGRAM (3000K)



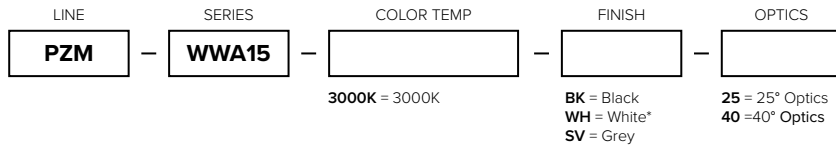
[Unit:cd]
 I_{max}:7692.08
 (10%I_{max}) 769.208
 (20%I_{max}) 1538.42
 (30%I_{max}) 2307.62
 (40%I_{max}) 3076.83
 (50%I_{max}) 3846.04
 (60%I_{max}) 4615.25
 (70%I_{max}) 5384.46
 (80%I_{max}) 6153.66
 (90%I_{max}) 6922.87

Quick-Ship Order Information

FIXTURE	ITEM NUMBER
3000K A15 ARRAY WALL WASHER, 100-240V, 63W, 40° OPTICS 330X207X100MM, BLACK FINISH	PZM-WWA15-3000K-BK
RGB A15 ARRAY WALL WASHER, 100-240V, 64W, 40° OPTICS 330X207X100MM, BLACK FINISH	PZM-WWA15-RGB-BK
RGB WA15 ARRAY WALL WASHER, 100-240V, 64W, 40° OPTICS 330X207X100MM, BLACK FINISH	PZM-WWA15-RGBW-BK
ACCESSORY	ITEM NUMBER
POWER + SIGNAL SPLITTER FOR WALL WASHERS (15FT 6PIN LEAD, 3FT POWER BARE WIRE, 3FT DMX BARE WIRE)	PZM-WW-PSL-15FT
1FT POWER + SIGNAL LINKING CABLE (6PIN)	PZM-WW-JUMP1-BK
3FT POWER + SIGNAL LINKING CABLE (6PIN)	PZM-WW-JUMP3-BK
6FT POWER + SIGNAL LINKING CABLE (6PIN)	PZM-WW-JUMP6-BK
20FT POWER + SIGNAL LINKING CABLE (6PIN)	PZM-WW-JUMP20-BK
3FT SIGNAL EXTENSION FOR WALL WASHERS (6PIN TO BARE WIRE)	PZM-WW-SIGEXTEND-BK
XLR3 TO XLR5 ADAPTER (BAG OF 2)	PZM-WW-XLR3-XLR5
SIGNAL TERMINATION END FOR WALL WASHERS (6PIN)	PZM-WW-SIGEND6PIN
POLE CLAMP WITH SAFETY CABLE FOR WALL WASHERS	PZM-WW-PCLMP

Special Order Information

Please allow 12-16 weeks for special order items. Special order items may require an minimum order quantity.



*MOQs may apply.

Control

DMX 512 Protocol
Requires RDM (Remote Device Management) to address each fixture. Each fixture is factory set to ID=001.

CCT	3000K	RGB	RGBW
Data Protocol	DMX512; RDM Required for address		
DMX Channel	1 Channel (2 Channels for Strobe)	3 Channels (5 Channels for Strobe)	4 Channels (6 Channels for Strobe)

NOTES
